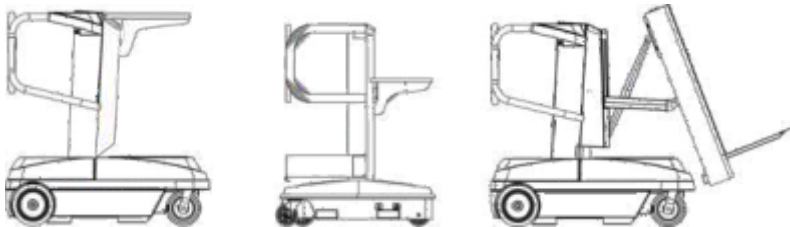


**m lift**  
**BY MTANDT**



**BRAVI**

**SPRINT TL**

**SELF-PROPELLED ORDER PICKER**



Sprint TL



**You have a problem?**

**We have the solution.**

Sprint is fast, highly efficient and fully drivable. Spin-Go is the innovative push-around that can change the way you work.

They are the solution for virtually any work you need to perform at height, be it stocking shelves, picking orders, or changing lightbulbs. It allows the operator to move efficiently between locations and to perform elevated tasks, up to 5.35 m/17.6 ft on the Sprint and up to 4.16 m/13.6 ft on the Spin-Go. Quicker. Simpler. Safer.

**BRAVI**

# **SPRINT TL**

**SELF-PROPELLED ORDER PICKER**



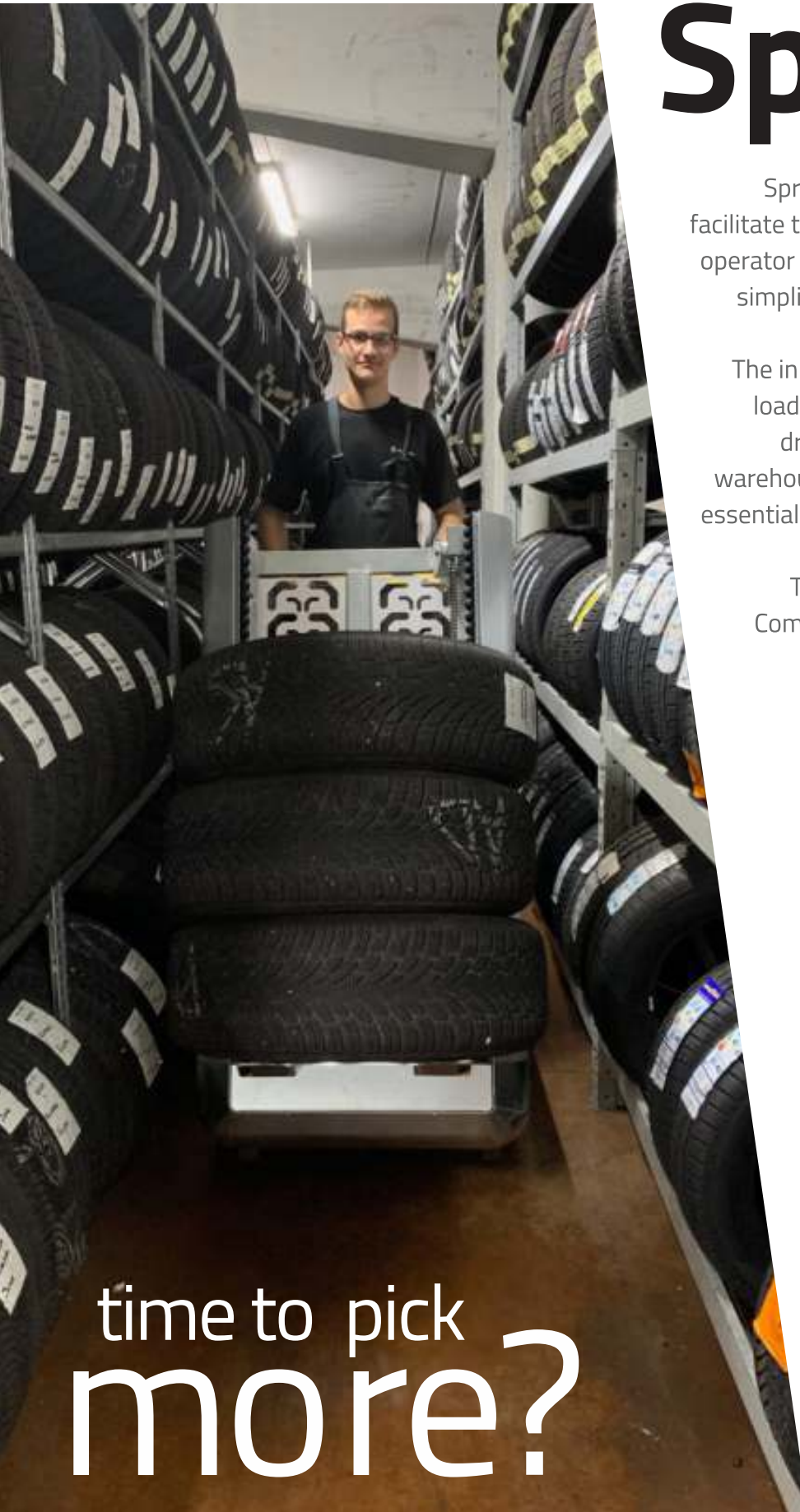
# Sprint TL

Sprint TL is a unique order picker, designed to facilitate the handling of tires and wheels, lifting the operator and tires up to a working height of 5.35m, simplifying the recovery and storage, allowing a faster and safer performance.

The innovative Lift Compartment System can be loaded up to a maximum of 100 kg (four tires), drastically reducing redundancies inside the warehouses and allowing for space maximization, essentially multiplying the number of tires that can be stored in a warehouse.

The inclination and load capacity of the Lift Compartment can be adjusted by pressing the buttons conveniently located on board of the Sprint TL.

Quicker. Simpler. Safer.

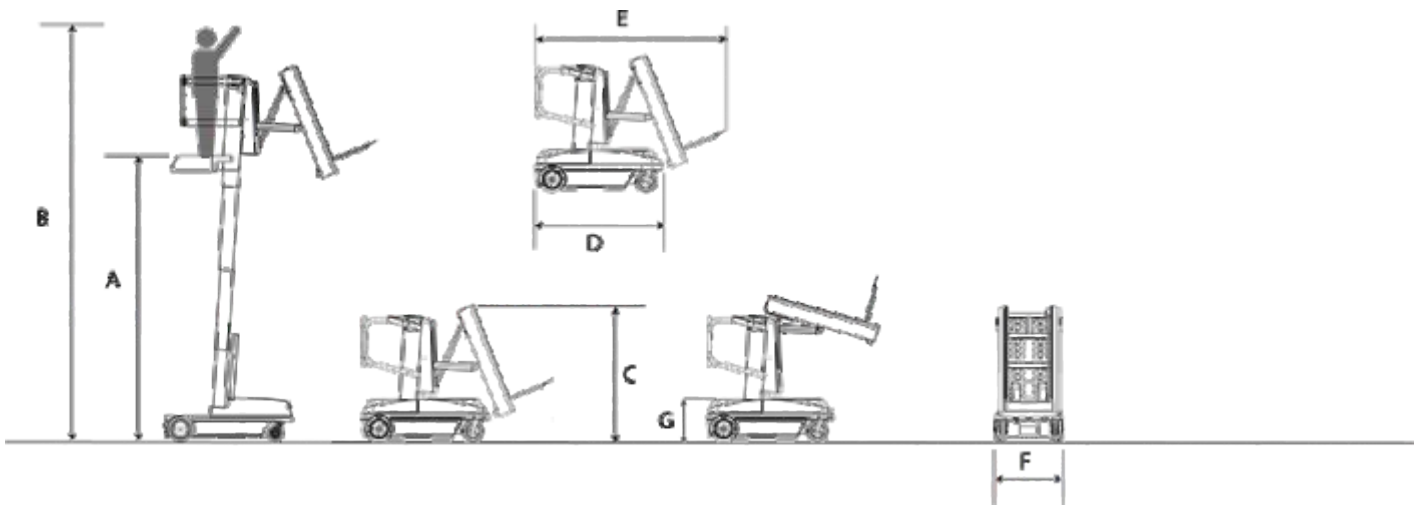


time to pick  
**more?**

# **BRAVI**

# **SPRINT TL**

## **SELF-PROPELLED ORDER PICKER**



- **Platform Height:** 3350 mm
- **Working Height:** 5350 mm
- **Platform Length:** 1500 mm
- **Platform Length with tyres:** 2243 mm
- **Platform Width:** 809 mm
- **Height Stowed:** 1601 mm
- **Entry Step:** 356 mm
- **Platform Capacity w/ decks ext.:** 130 kg
- **Lift Compartment System Capacity:** 100 kg
- **Unit Weight (CE):** 794 kg
- **Rated Number of Occupants (CE):** 1
- **Drive Speed Stowed:** 5 km/h
- **Drive Speed Elevated:** 1,2 km/h
- **Inside Turning Radius:** ZERO
- **Outside Turning Radius:** 1995 mm
- **Gradeability:** max. 2%
- **Power Source:** 110/220 V ca 24Vcc
- **Batteriesn°:** 4 – 6V; 245Ah@20h

