

# **BRAVI**

## **SPRINT LP**

### **AERIAL WORK PLATFORM**



- an innovative order picker designed to facilitate the handling of large and extra-large parcels and doors
- it reaches a working height of 5.35 m
- able to complete a full rotation on its axis
- control panel equipped with a large LCD display showing vehicle status, system operating time, and battery status via a charge indicator
- High-Cycle batteries allowing for a great number of raise/lower cycles or for 28 km travel
- platform capacity of 130 kg and ultra-compact size (1500x808x1440 mm) allows for an exceptional maneuverability
- innovative load deck for Large Parcels can load up to 60 Kg.
- fully motorized foldable Load Tray
- eliminates the risk of injuries caused by the manual handling of goods
- innovative lifting mast system, guaranteed 10 years



## **Why choose Sprint LP?**

### **EFFICIENT AND VERSATILE**

SPRINT LP lifts the operator and large parcels, easily positioning them at the desired height and allowing for faster and safer performance than if manually handled. The innovative load deck can be loaded up to 60 Kg. The fully motorized foldable tray has a capacity of 90 Kg. To avoid bad positioning, both the load deck and tray are fixed and not removable.

### **SURE**

SPRINT LP has a drive speed of 5 Km/h while stowed and of 1.2 Km/h when lifted. The hand sensors and dual footswitches on the platform ensure the correct position of the operator while actively onboard or using the lifting functions. The heavy-duty load deck construction allows the operator to safely handling large parcels up to 60 kg, avoiding the risk of injuries related to the manual movement of goods.

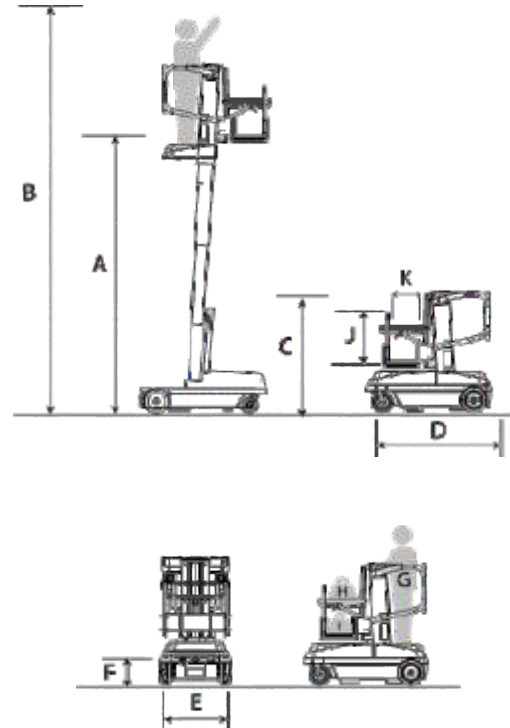
### **DURABLE**

Simple, efficient, and comfortable the SPRINT LP is the result of continuous technical improvements. The innovative lifting mast requires no upkeep, while the careful selection of high-quality components, and an extremely simple yet effective design make the SPRINT LP virtually maintenance-free, designed to guarantee low ownership costs.

OPTIONAL: It is possible to fully eliminate batteries' maintenance by installing AGM batteries, available also for all our products.

**"Evolution of the standard version, Sprint LP adds functions that allow the operator to manage a wider range of goods: from doors to large parcels."**

# BRAVI SPRINT LP AERIAL WORK PLATFORM



## Measurements

A	Platform Height	3350 mm	Foldable Load Tray Front Protection Height	570 mm
B	Working Height	5350 mm	Unit Weight	714 kg
C	Height Stowed	1440 mm	Rated Number of Occupants	1
D	Platform Length	1500 mm	Drive Speed Stowed	5 km/h
E	Platform Width	808 mm	Drive Speed Elevated	1.2 km/h
F	Entry Step	356 mm	Inside Turning Radius	ZERO
G	Platform Capacity	130 kg	Outside Turning Radius	1600 mm
H	Load Tray Capacity	90 kg	Gradeability while elevated	2°
I	Large Parcels Deck Capacity	60 kg	Power Source	110/220 V ca 24Vcc
J	Large Parcels Deck Height	570 mm	Batteries	n° 4 - 6V; 245Ah@20h
K	Large Parcels Deck Internal Width	320 mm		