

MLIFT

MRZZ38Z

DIESEL ARTICULATED BOOM LIFT



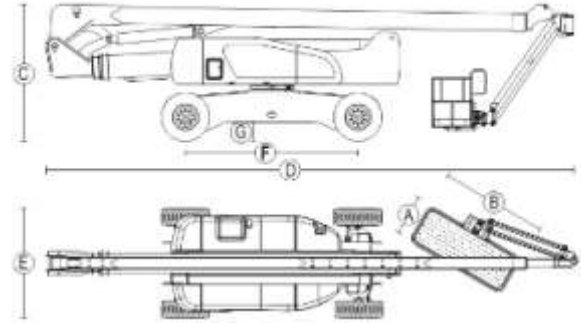
MLIFT

MRZZ38Z

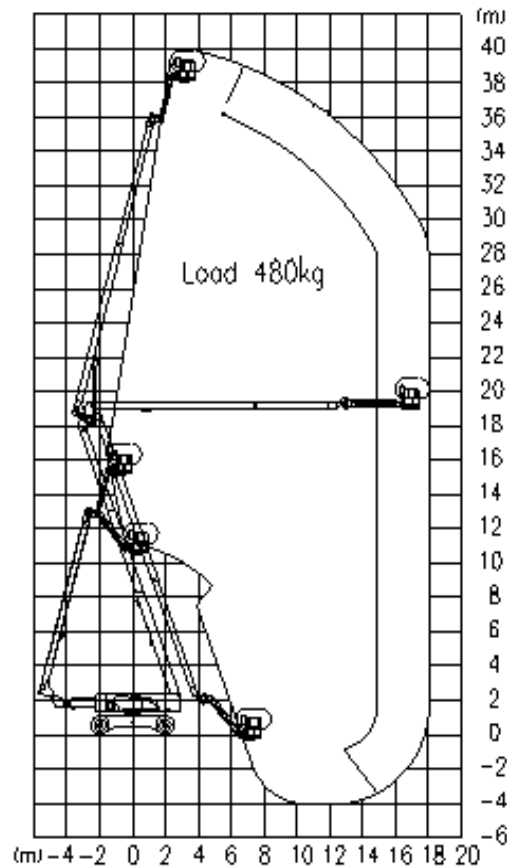
DIESEL ARTICULATED BOOM LIFT



Model	MRZZ38Z
Working Height Maximum	40.1m
Platform Height Maximum	38.1m
Working radius maximum	21.6m
Lifting capacity-restricted	480kg
Lifting capacity-non restricted	230kg
Up & Over height maximum	19.5m
Length (jib stowed) ①	11.46m
Length (jib extended) ①	14.2m
Width (axle retracted) ②	2.49m
Width (axle extended) ②	4.1m
Height (stowed) ③	3.22m
Jib Length	2.6m
Wheel base ④	3.96m
Ground clearance ⑤	430mm
Platform Dimension ⑥*⑦	2.44*0.91*1.13m
Turning radius Minimum (outside, axle extended)	6.5m
Turning radius Minimum (outside, axle retracted)	7.02m
Turning radius Minimum (inner, axle extended)	3.13m
Turning radius Minimum (inner, axle retracted)	4.14m
Drive speed (stowed)	4.4km/h
Speed (raised or extended)	1.1km/h
Grade ability 4WD	40%
Solid tire	385/65-24
Swing speed	0~0.08rpm
Turn table swing	360 Continuous
Platform leveling	Automatic leveling
Platform rotation	±90°
Fuel tank volume	151L
Total weight	24500kg (4WD)
Control voltage	12V
Drive & Steering mode	4*4*4
Engine	Cummins(QSF2.8T-C72)
Rated power	54kw/2200rpm



MRZZ38Z RANGE OF MOTION



Delivering Safety & Productivity

Chennai | Bengaluru | Mumbai | Ahmedabad | Delhi | Kolkata | Sri Lanka | Qatar

equipment@mtandt.com | 9090 1010 65 | www.mtandt.com