

# CMC S15 TRACK-MOUNTED BOOM LIFT



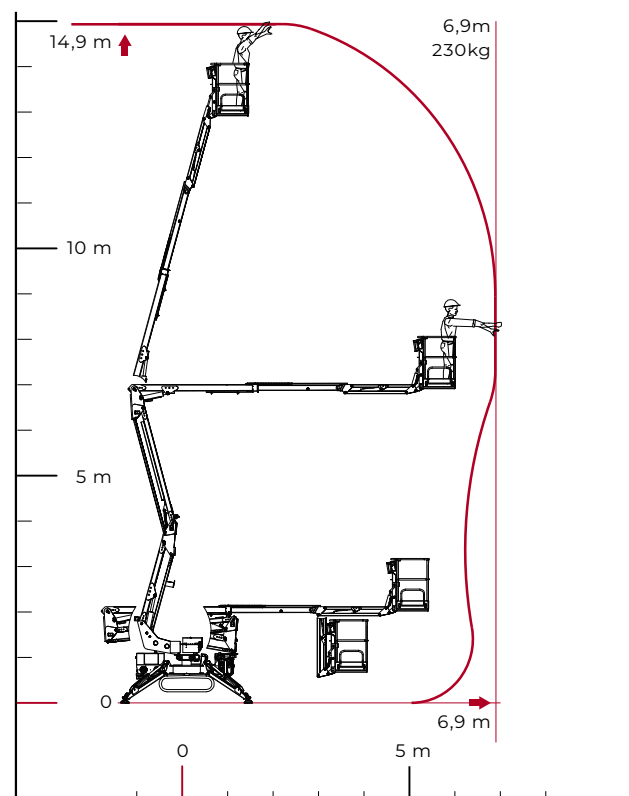
## TECHNICAL SHEET

### PERFORMANCE AND DIMENSIONS

#### Main features

This is the most compact geometric platform without outreach limiter in its class. It goes through a standard door and fit in the lifts, a key feature for use inside large structures such as airports or large shopping centres.

Max. working height	14,9 m
Max. reach with 230 kg	6,9 m
Platform height	12,9 m
Max. load in basket	230 kg
Basket dimensions	1,4 x 0,7 x 1,1 m
Basket rotation	+/-90° (options)
Turret rotation	+/- 178°(356° non-continuous)
Total weight	1820 Kg



**CMC**  
**S15**

**TRACK-MOUNTED BOOM LIFT**

