

CMC S19E

TRACK-MOUNTED BOOM LIFT



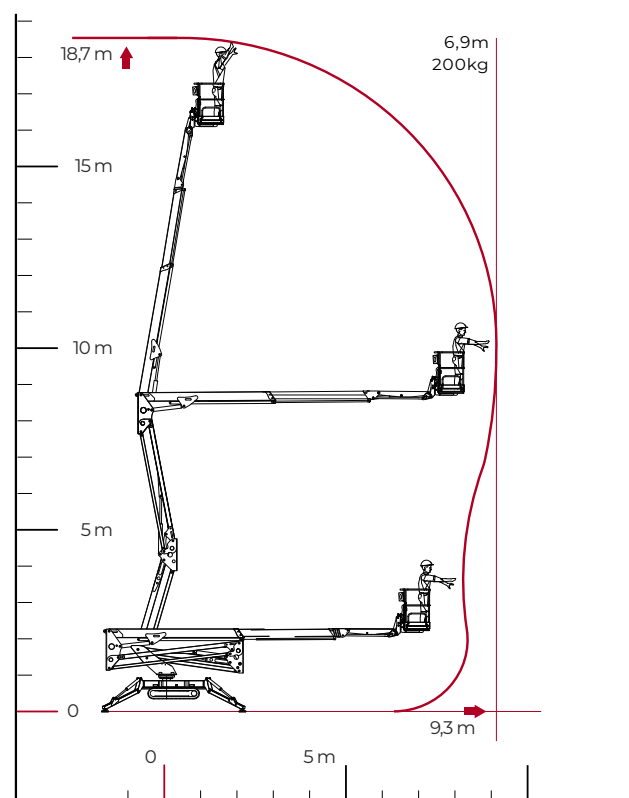
TECHNICAL SHEET

PERFORMANCE AND DIMENSIONS

Main features

A geometric platform, without outreach limiting device, with low weight and extreme compactness, easy to transport on a trailer and suitable for any type of application.

Max. working height	18,7 m
Max. reach with 200 kg	9,3 m
Platform height	16,7 m
Max. load in basket	200 Kg
Basket dimensions	1,4 x 0,7 x 1,1 m
Turret rotation	+/- 178° (356° non-continuous)
Total weight	2545 Kg



CMC
S19E
TRACK-MOUNTED BOOM LIFT

