

CMC S13F TRACK-MOUNTED BOOM LIFT



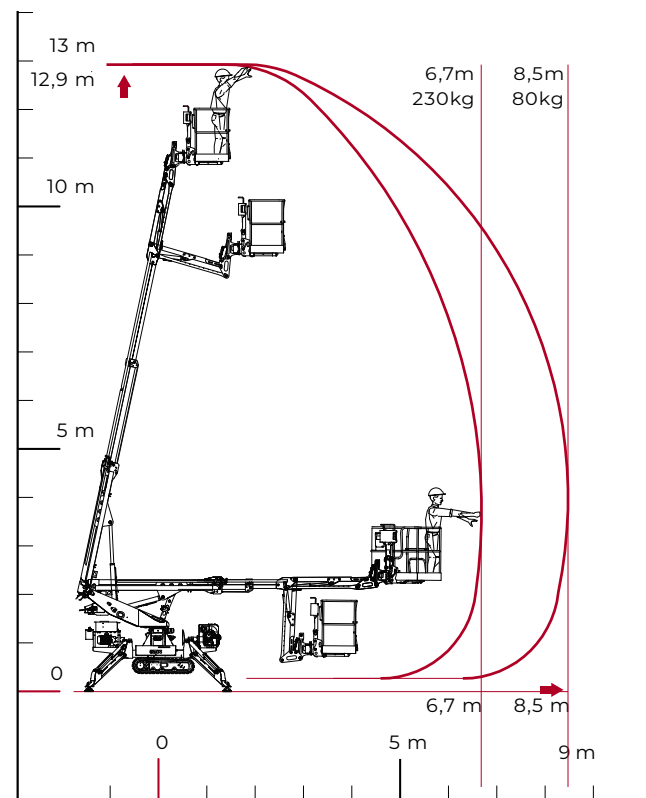
TECHNICAL SHEET

PERFORMANCE AND DIMENSIONS

Main features

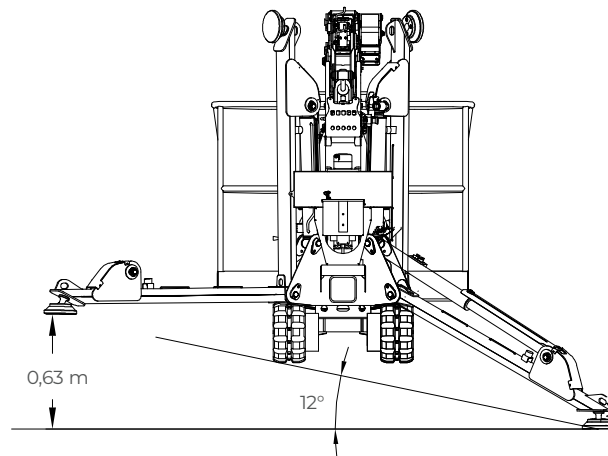
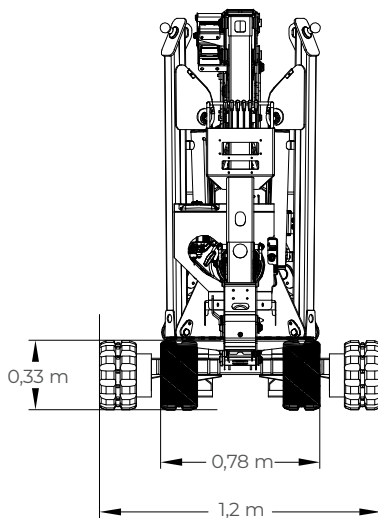
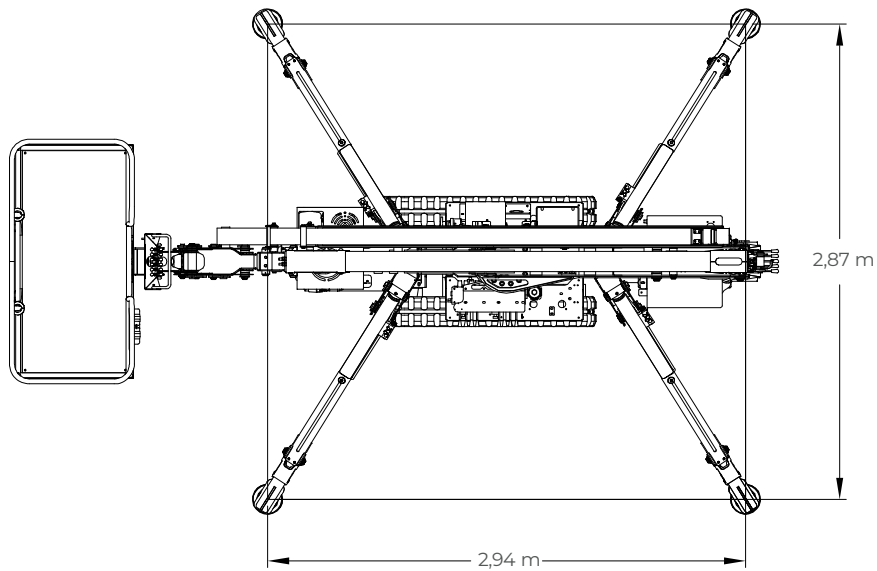
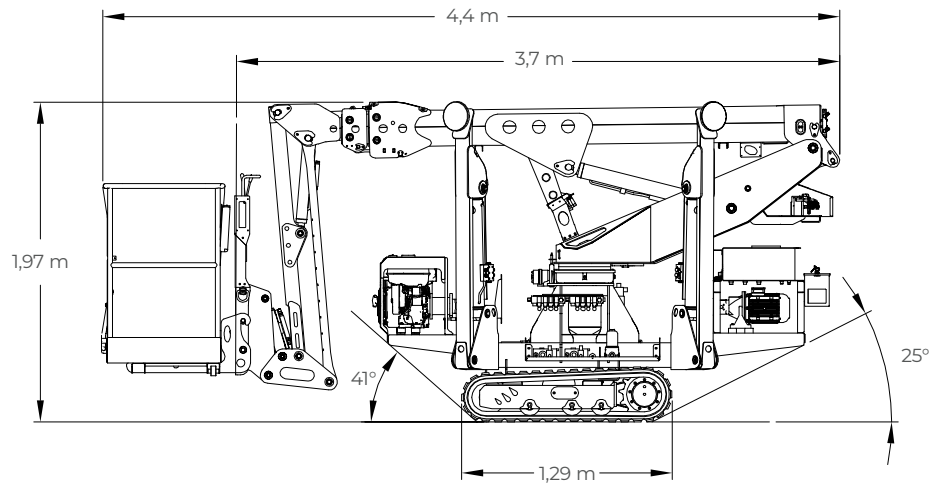
Lightweight and multifunctional, equipped with a two-stage telescopic boom and jib (90°), the S13F is the smallest platform in the entire CMC range and the most compact in its category, but it is second to none when it comes to work in difficult conditions and limited spaces.

Max. working height	12.9 m
Max. reach with 80 kg	8.5 m
Platform height	10.9 m
Max. load in basket	230 kg
Basket dimensions	1.4 x 0.7 x 1.1 m
Basket rotation	+/-90° (options)
Turret rotation	+/- 178° (356° non-continuous)
Total weight	1565 Kg



CMC S13F

TRACK-MOUNTED BOOM LIFT



Delivering Safety & Productivity

Chennai | Bengaluru | Mumbai | Ahmedabad | Hyderabad | Delhi | Kolkata | Sri Lanka | Qatar

equipment@mtandt.com

9090 1010 65

www.mtandt.com