

CMC
S22HD
TRACK-MOUNTED BOOM LIFT



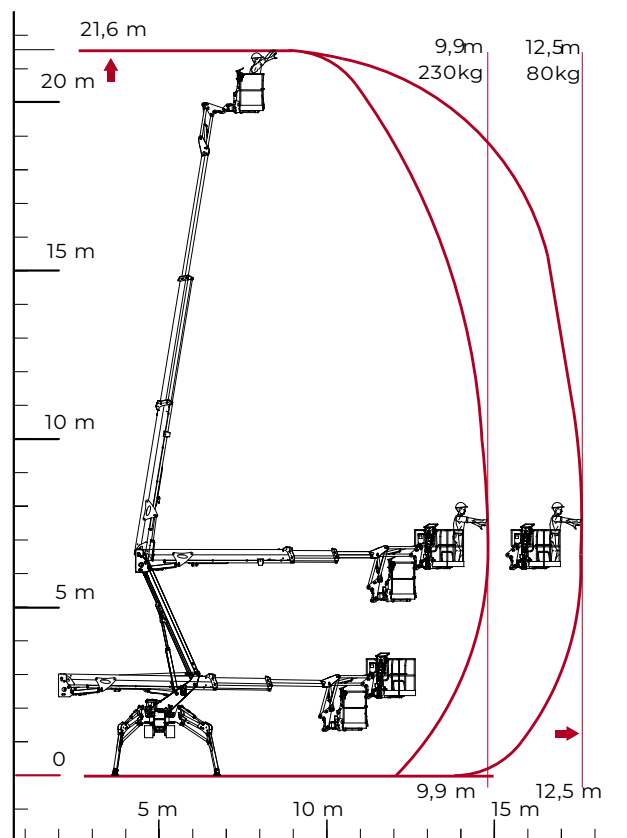
TECHNICAL SHEET
PERFORMANCE AND DIMENSIONS

Main features

An articulated platform with a pantograph and a two-stage telescopic boom plus jib.

This combination, together with its stabilizers of high levelling capacity, three working areas and long horizontal reach, makes it ideal for all outdoor works, even in extreme conditions.

Max. working height	21,6 m
Max. reach with 80 kg	12,5 m
Platform height	19,6 m
Max. load in basket	230 kg
Basket dimensions	1,4 x 0,7 x 1,1 m
Basket rotation	+/-90° (options)
Turret rotation	+/- 355° (710° continuous)
Total weight	3005 Kg



CMC
S22HD
TRACK-MOUNTED BOOM LIFT

