

# CMC S25

## TRACK-MOUNTED BOOM LIFT



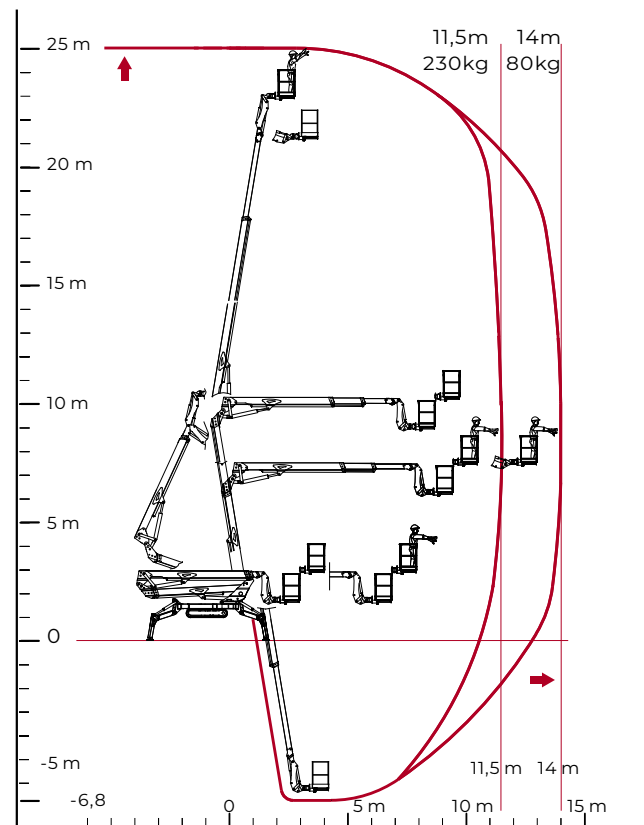
## TECHNICAL SHEET

### PERFORMANCE AND DIMENSIONS

#### Main features

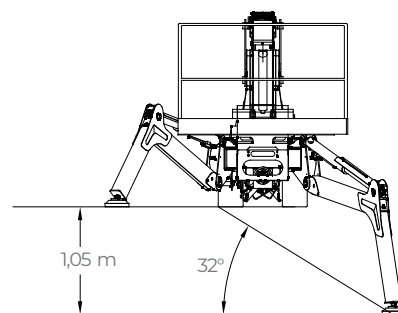
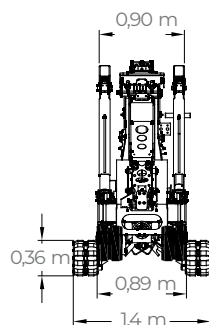
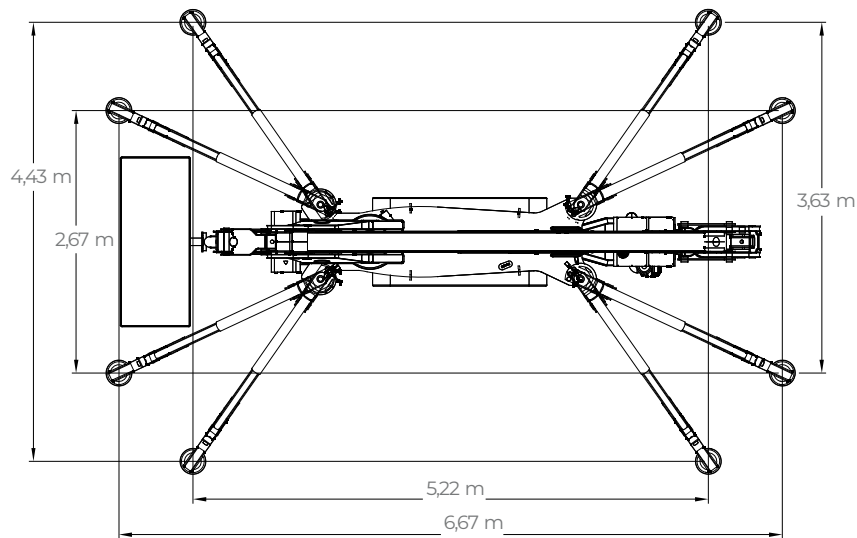
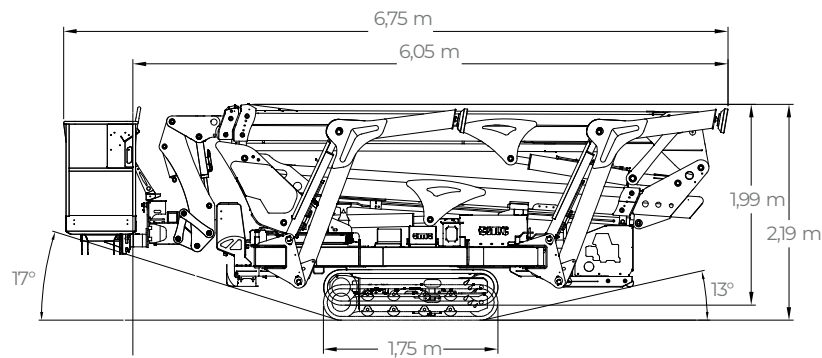
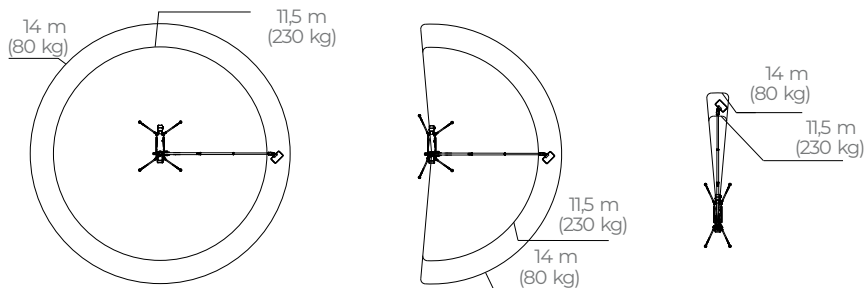
This platform has compact design and high-performance capabilities: 25m working height, 14m of horizontal reach and the ability to work in negative, down to -6.8m. With four stabilisation areas, it can perform a wide range of tasks with outstanding efficiency and reliability.

Max. working height	<b>25 m</b>
Possibility of working in negative	<b>-6,8 m</b>
Max. outreach with 80 kg	<b>14 m</b>
Platform height	<b>23 m</b>
Max. load in basket	<b>230 kg</b>
Basket dimensions	<b>1,7 x 0,7 x 1,1 m</b>
Basket rotation	<b>+/-90°</b>
Turret rotation	<b>+/- 200° (400° continuous)</b>
Total weight	<b>3885 Kg</b>



# CMC S25

## TRACK-MOUNTED BOOM LIFT



Delivering Safety & Productivity

Chennai | Bengaluru | Mumbai | Ahmedabad | Hyderabad | Delhi | Kolkata | Sri Lanka | Qatar

equipment@mtandt.com

9090 1010 65

www.mtandt.com