

CMC S28

TRACK-MOUNTED BOOM LIFT



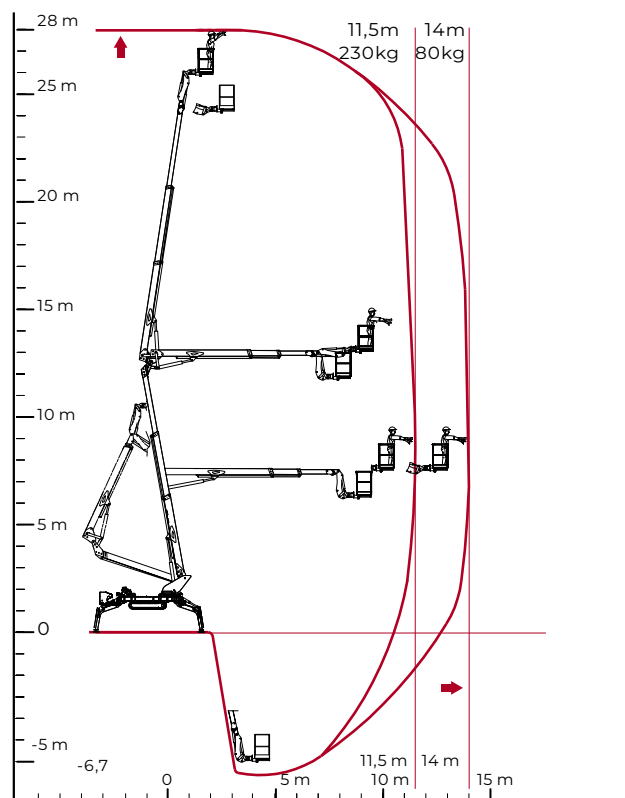
TECHNICAL SHEET

PERFORMANCE AND DIMENSIONS

Main features

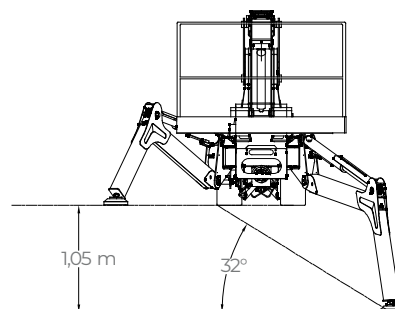
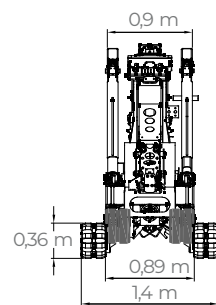
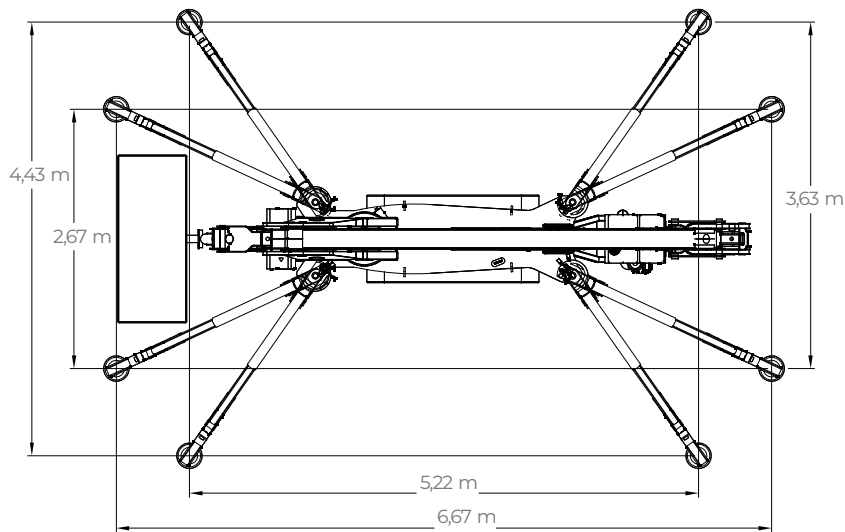
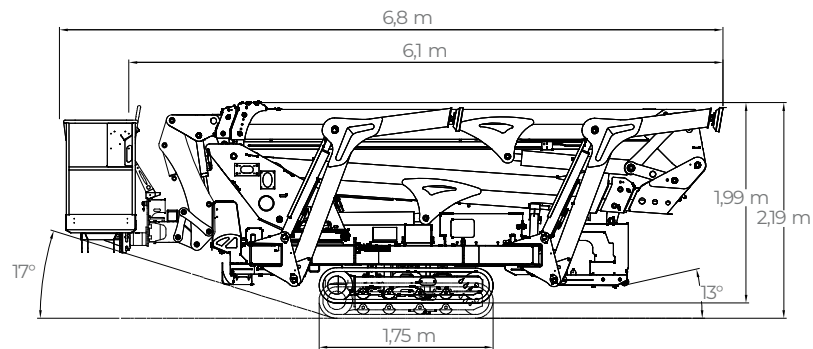
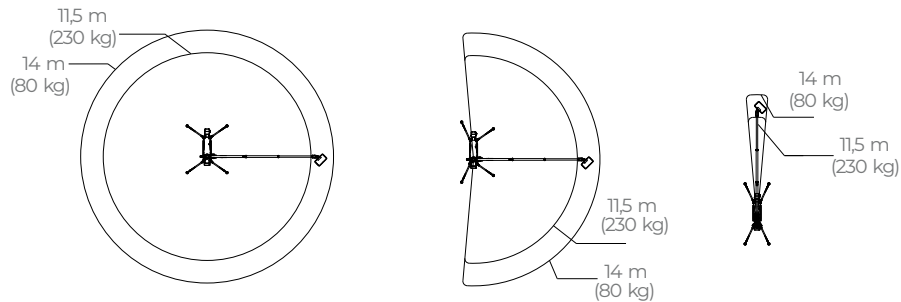
A bundle of power and technology capable of performing in any application. It has four stabilisation areas, two working areas and climbing outriggers for working on all types of terrain and reaching even the most difficult spots with its maximum working height of 28m, lateral outreach of 14m and the ability to work in negative down to -6.7m.

Max. working height	27,9 m
Possibility of working in negative	-6,7 m
Max. outreach with 80 kg	14 m
Platform height	25,9 m
Max. load in basket	230 kg
Basket dimensions	1,7 x 0,7 x 1,1 m
Basket rotation	+/-90°
Turret rotation	+/- 200°(400° continuous)
Total weight	4123 Kg



CMC S28

TRACK-MOUNTED BOOM LIFT



Delivering Safety & Productivity

Chennai | Bengaluru | Mumbai | Ahmedabad | Hyderabad | Delhi | Kolkata | Sri Lanka | Qatar

equipment@mtandt.com

9090 1010 65

www.mtandt.com