

CMC
S19HD
TRACK-MOUNTED BOOM LIFT



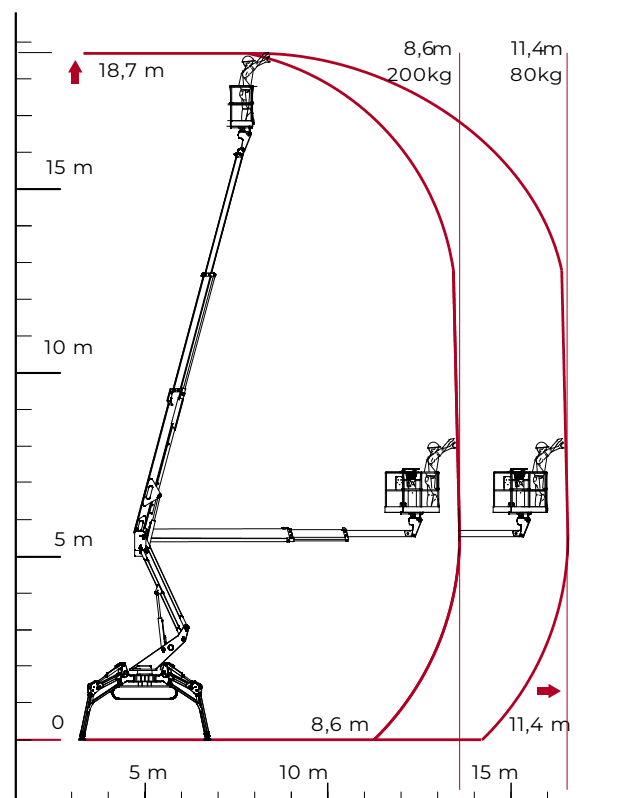
TECHNICAL SHEET

PERFORMANCE AND DIMENSIONS

Main features

This articulated platform with pantograph and telescopic boom offers outstanding performance thanks to its stabilizers of high levelling capacity. Designed for maximum work performance on the toughest terrain, it's an excellent alternative to a truck-mounted platform

Max. working height	18,7 m
Max. reach with 80 kg	11,4 m
Platform height	16,7 m
Max. load in basket	200 kg
Basket dimensions	1,4 x 0,7 x 1,1 m
Basket rotation	+90°/87° (options)
Turret rotation	+/- 355° (710° continuous)
Total weight	2666 Kg



CMC
S19HD
TRACK-MOUNTED BOOM LIFT

