



# Tactical Safety for Access & Falls

Engineered Fall Protection Solutions

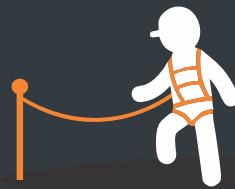


# WHY

Do You Need a

# FALL PROTECTION

# SYSTEM?



In almost every industry, there are areas where the workers are subjected to **fall hazards**, this includes high vertical distance, fragile roofs, deterioration of roof materials, unprotected edges, climbing top of trucks/tankers, unstable/poorly maintained access equipment such as ladders, weather, and falling materials.

Accidents can be prevented by adopting safe methods of working at heights. In such circumstances, **TsaF's lifeline systems are your next line of safety** for fall protection and prevention. Installed lifeline systems **arrest** workers in the event of a fall (Active System) or **restrain** workers from reaching a fall hazard (Fall Restraint).

Employers must **take due precautions** to keep their people safe from all potential fall hazards, such as holes, skylights, and leading edges, then plan and **select a suitable fall protection equipment/system** for the proposed work.

When **employers prioritize safety** and **employees follow safety guidelines**, the results are clear: improved work quality, greater competence, and increased productivity. Most importantly, it **reduces accidents and minimizes downtime** - protecting both workers and the bottom line.



# What Is TsaF?



**TsaF - Tactical Safety for Access & Falls** is India's leading manufacturer of **Fall Protection Systems**, brought to you by the **Mtand Group**. With over 50 years of experience, our expert engineers and professionals are committed to making work-at-height **safe, reliable, and cost-effective** for our clients and their teams.

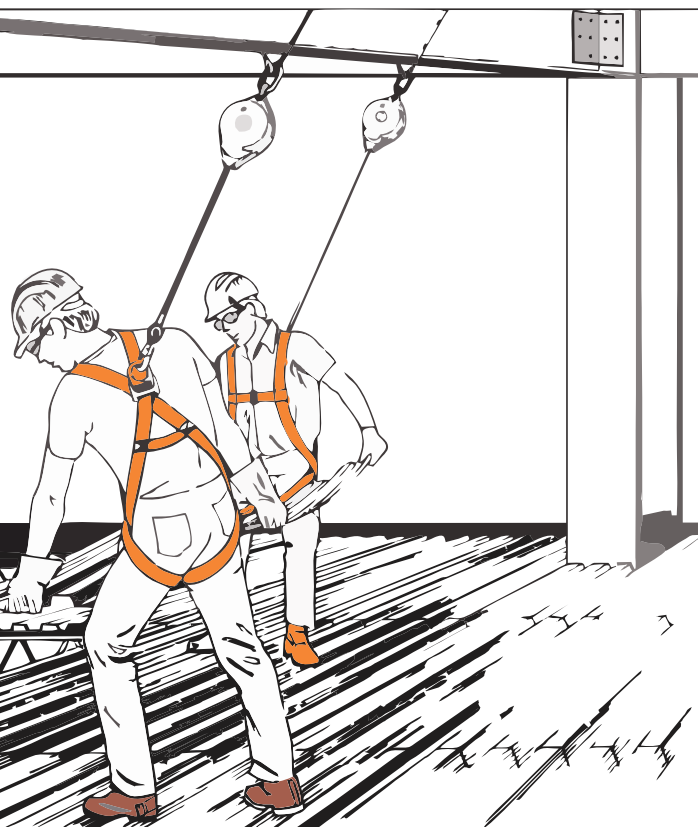
As a trusted partner in safety, TsaF provides a comprehensive range of fall protection solutions, including **Horizontal, Vertical, and Overhead Lifeline Systems**, as well as **Customized Barricade, Skylight Mesh, Aluminum Walkway**, and **Personal Protective Equipment (PPE)**. To further support your team's safety, we offer complete training and certification programs to ensure your workforce is fully prepared to work securely at height.

TsaF stands out as a pioneer in the safety industry by delivering **end-to-end services**-from site inspection and equipment supply to custom design, execution, and ongoing maintenance. Our solutions cater to diverse industries, from **pharmaceuticals to power, telecommunications to transmission lines, and warehousing to oil & gas**.

Our protection systems are **custom-designed to meet your unique site requirements** and adhere to **national and international safety standards**, including EN/CE and ATEX approvals. This guarantees compliance and ensures your workforce returns home safely every day.

When you choose TsaF, you're not just investing in safety-you are investing in **trust, efficiency, and productivity**. That's why **TsaF is the industry's first choice for fall protection solutions**.

According to the **World Health Organisation (WHO)** falls are the **second leading** cause of unintentional work-related injuries and deaths.



# What Makes TsaF

## FIRST CHOICE FOR INDUSTRIES?



### End-To-End Customization

We know that each site is unique and presents a different challenge. Thus, with our experience across various sectors and projects, our team is committed to offering you custom solutions.

“ Making safety a reality and not a fatality.”

### Crafted With Safety & Quality

Our solutions are developed with extensive research and crafted down to  $\pm 0.01\%$  precision which offers significant advantages in safety and productivity. The engineered systems meet specific applications, including connection point, connection type, and many users, and are rigorously tested to meet EN/CEN (European) Standards.

“ We do not compromise with human lives. Period.”

### Certified Technical Team

Our team of professionals is certified by the training body Capital Equipment Service Limited (CESL), which enables them to take the utmost precaution when carrying out the installation work at your facility whilst adhering to HSE laid Quality and Safety parameters.

“ Safety can distinguish you,  
Lack of safety can extinguish you.”

### Strict Adherence To Global Standards

Operator Certified to ISO 9001:2015

System Certified to classes

- EN 353-1:2014+A1:2017
- EN 795:2012 CLASS C
- EN 353-2:2002
- CEN/TS 16415:2013

“ When your life is at risk,  
reward yourself with security.”

### On-Site Training

Our work does not end with just installation. We train and certify your workforce on proper work procedures. Our courses impart the technical knowledge required to Operate, Maintain, and Service the systems periodically through rigorous training.

“ Be a safety hero. Score an accident zero.”

# Skylight

## MESH

Ensure the **safety of your workers** with our **Skylight Mesh System**, a cutting-edge solution designed to **secure skylights and prevent falls**. Crafted from high-quality materials and engineered with precision, this system offers reliable performance and durability across various applications.

Whether you're working on **construction sites, industrial facilities, or commercial buildings**, our Skylight Mesh System provides the essential fall protection needed for a safe working environment.

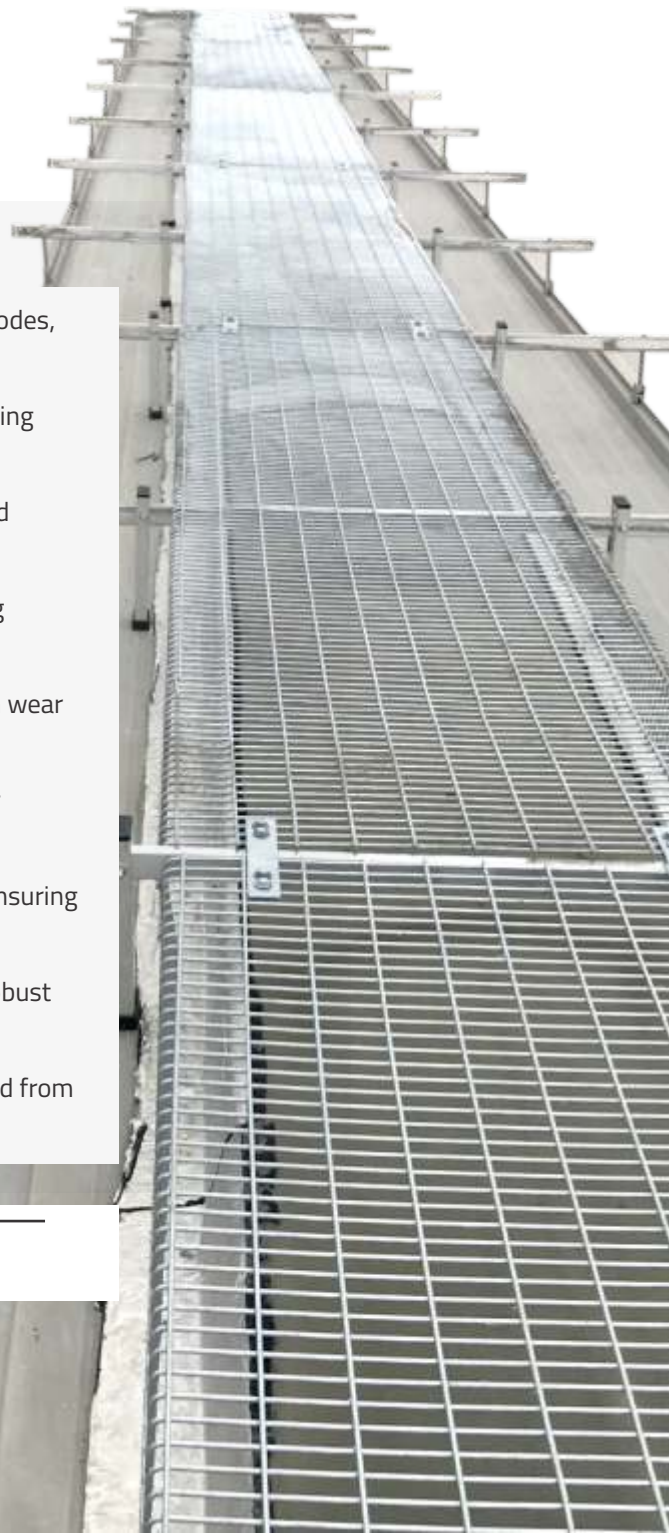
### BENEFITS

- › Designed and tested to meet OSHA Skylight Screens 1910.23(e)(8) codes, ensuring top-tier safety standards.
- › Features a non-penetrating compression fastening system for standing seam roof sheets, protecting roof integrity.
- › For trapezoidal roof sheets, aluminum rivets with EPDM washers and weatherproof adhesive tapes prevent water leakage.
- › Mesh panels allow natural light to pass through, maintaining building illumination and energy efficiency.
- › Highly durable, moisture-resistant, and capable of withstanding high wear and tear, ensuring long-lasting performance.
- › Hot-dip galvanized components enhance durability, offering superior protection against environmental elements.
- › Adjustable height facility accommodates various roof light shapes, ensuring versatile and secure installation.
- › Constructed with high-strength GI wire mesh and pipe support for robust and reliable protection.
- › Complies with BS EN 1873, effectively retaining a 50kg mass dropped from 2.4m, ensuring robust skylight protection.

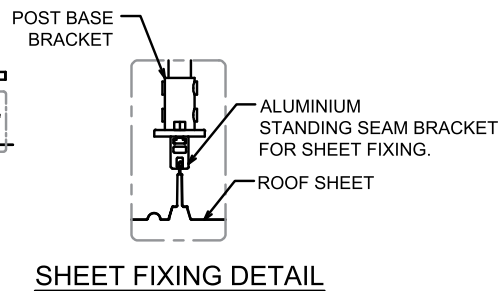
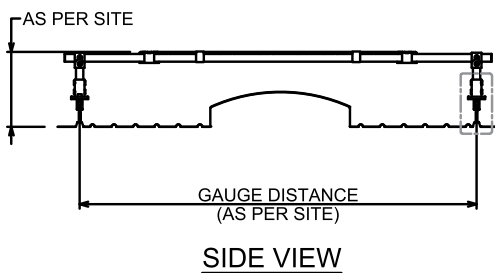
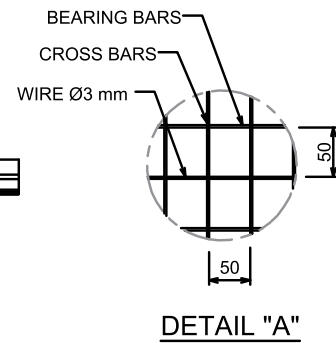
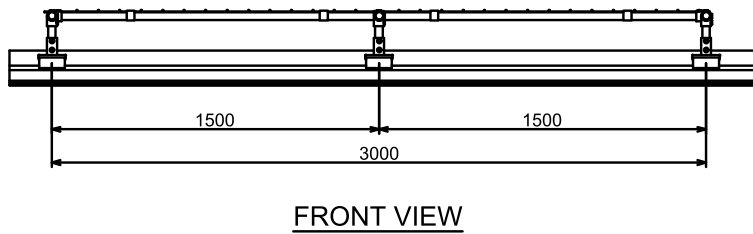
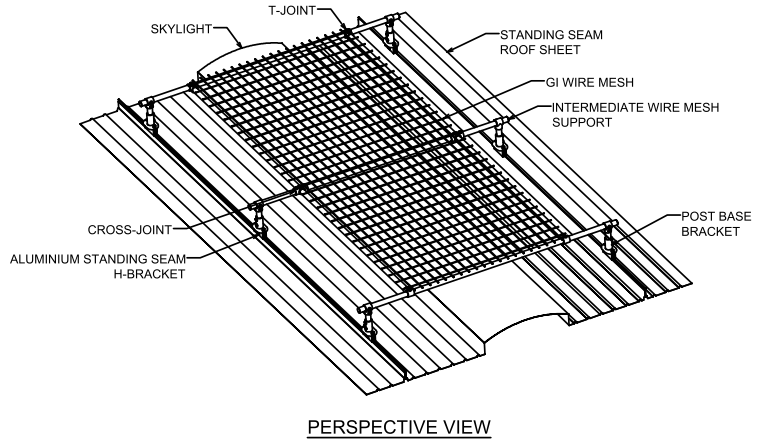
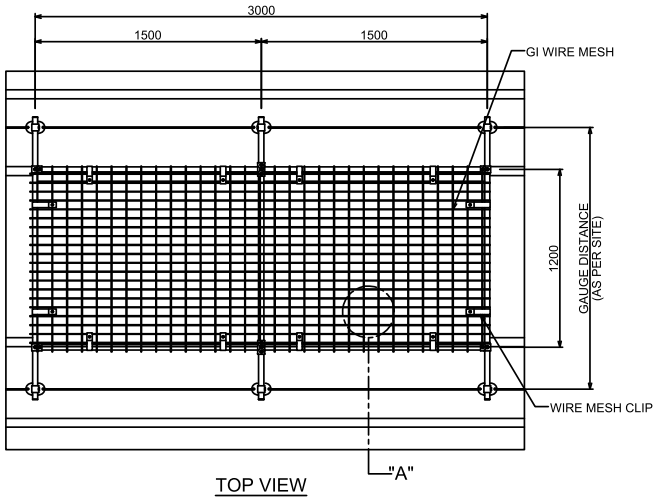
Tailored to **meet site-specific needs**, the system safeguards your personnel and prevents accidents, **ensuring safety and reliability every step of the way**. This innovative solution not only helps employers meet their duty of care but also enhances productivity by allowing workers to operate confidently at height.

**CERTIFICATIONS** EN 795:2012 Class C CEN/TS 16415:2013

When working on a roof, the use of TsaF Skylight Mesh System eliminates falls, and trips.



Skylight Mesh System secures skylights for worker safety, providing fall protection.



## APPLICATIONS



Roof Top-Flat/Sloped



Aircraft Hangar



Stadium/Arena



Constructions



Solar Panel Maintenance

# Our CLIENTS



We have built Fall Protection Systems for small-scale businesses to Fortune 500 companies and formed the most productive relationships that are synergistic and goal-oriented. We have been passionately working with our clients achieving great successes and building lasting relationships.



# mtandt

SINCE 1974



## MTANDT LIMITED

**North Branch:** 530, C - Block, Floor - P5, NPX Tower, Sector - 153,  
Noida - 201 310, Uttar Pradesh, India.

✉ [tsaf@mtandt.com](mailto:tsaf@mtandt.com) 📞 +91 9090 1010 65 🌐 [www.mtandt.com](http://www.mtandt.com)

Specifications may vary. Subject to technical changes, errors, and translation mistakes. Accessories shown in the photographs may not be the part of standard products. Images used are for illustration purposes only and all rights are reserved with the respective owners.  
Copyright 2024 Mtandt Group. All rights reserved.

**be sure  
get more.**

Follow Mtandt Group



Scan for Website



Membership No:  
S0435084-600013



National Safety Council  
Membership No: CMTN394

