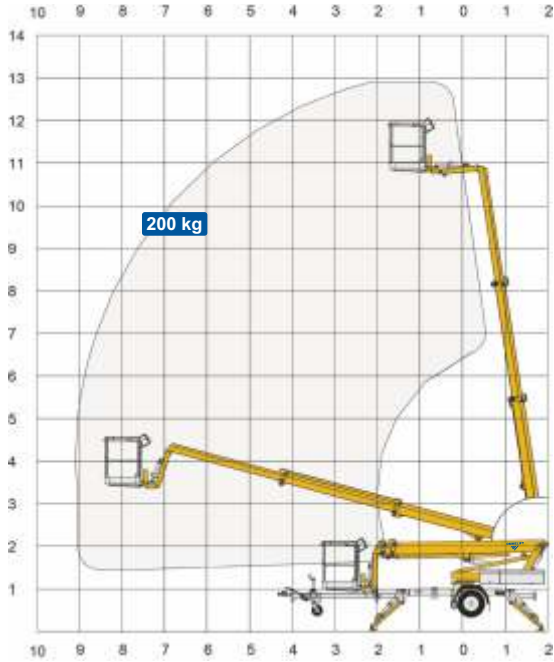


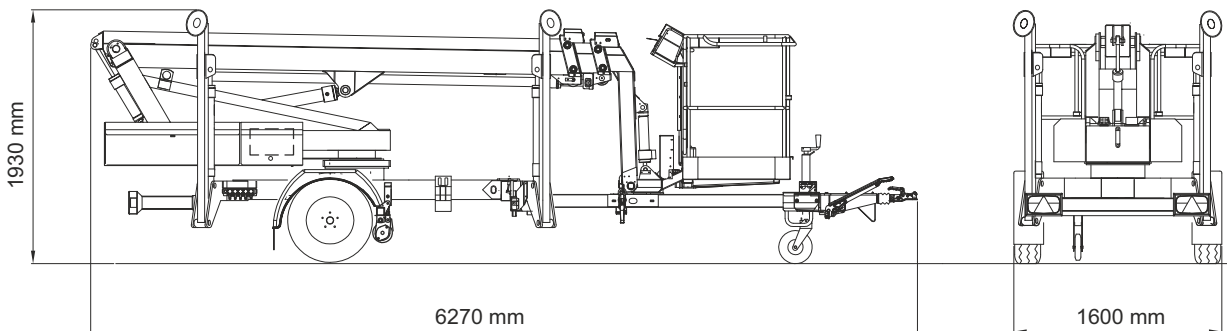
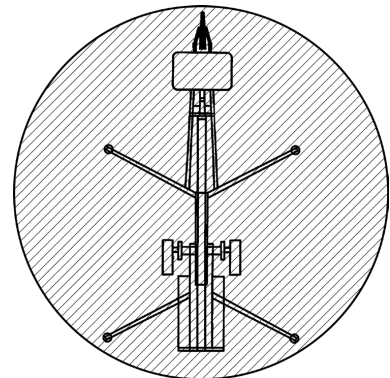
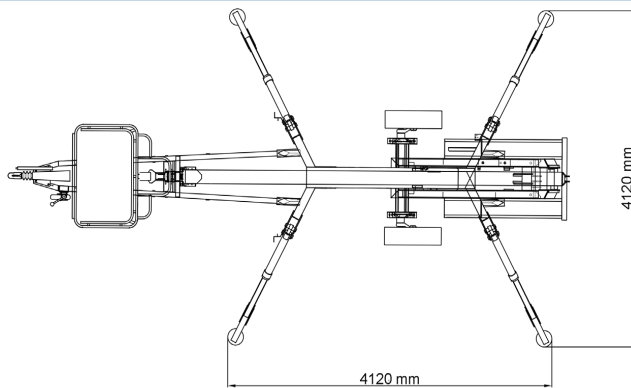
OMME
1300E

TELESCOPIC SPIDER LIFT-TRAILER MOUNTED



OMME**1300E****TELESCOPIC SPIDER LIFT-TRAILER MOUNTED**

Technical Data:	1300 E	1300 EB
Max. working height	12.8 m	
Max. platform height	10.8 m	
Max. outreach	9.0 m	
Up and over clearance	-	
Angle boom length (boom + basket)	2.0 m	
Jib length (jib + basket)	-	
Vertical jib rotation	-	
Turret rotation	± 355°	
Basket rotation	± 50°	
Max. basket load	200 kg	
Basket size	1.25 x 0.8 x 1.1 m	
Stabilizer pad size	ø200 mm	
Engine	⁵ Petrol ⁶ Diesel	BATTERY
Fuel tank capacity	⁵ Optional ⁶	⁵ Optional ⁶
Generator		
Battery pack	24V/120Ah/5h	
Charger	24 V / 15 A	
Double charger system	Optional	
Elec. descent		
Self-propulsion with hydraulic engagement of traction rollers	Standard	
Gradeability	14% / 8°	
Ground to tire clearance at max. set-up	Min. 300 mm (10.9% / 6.2°)	
Total weight	1650 kg	1750 kg
Ground pressure, outrigger pad	11.8 kg/cm ²	11.8 kg/cm ²
Ground pressure with 0.4 x 0.4 m spreader plate	0.6 kg/cm ²	0.6 kg/cm ²
Max. force, outrigger	10.0 kN	10.0 kN
Hydraulic stabilizers	Standard	
Controls	2-step	
Flush basket mount	Standard	
Elec. power outlet in basket	Standard	
Tool trays in basket	Standard	



03.22 Subject to change without notice. Data, dimensions and features are indicative and not binding