

OMME

1830 EX

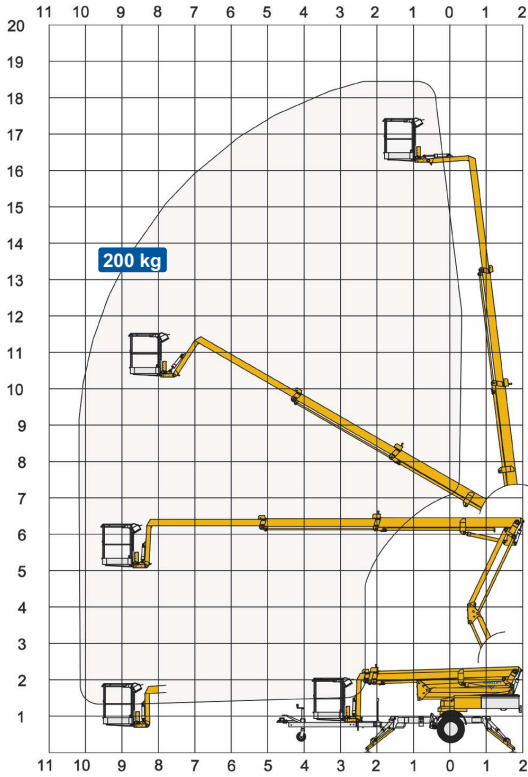
ARTICULATED SPIDER LIFT-TRAILER MOUNTED



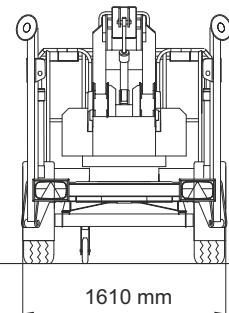
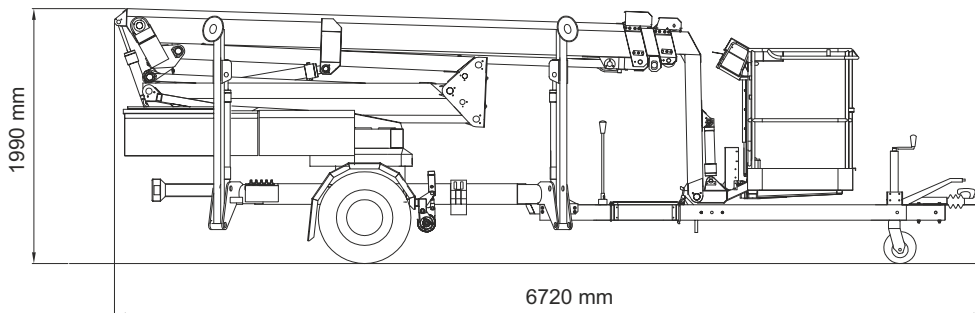
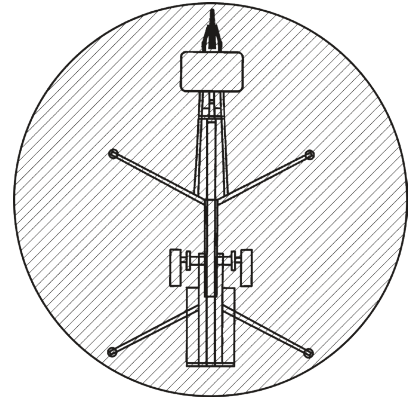
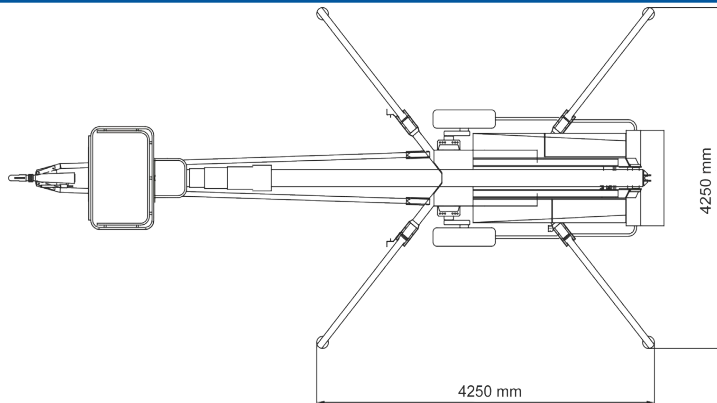
OMME

1830 EX

ARTICULATED SPIDER LIFT-TRAILER MOUNTED



Technical Data:	1830 EX	1830 EXB
Max. working height	18.3 m	
Max. platform height	16.3 m	
Max. outreach	10.2 m	
Up and over clearance	6.0 m	
Angle boom length (boom + basket)	2.0 m	
Jib length (jib + basket)	-	
Vertical jib rotation	-	
Turret rotation	± 355°	
Basket rotation	± 41°	
Max. basket load	200 kg	
Basket size	1.25 x 0.8 x 1.1 m	
Stabilizer pad size	ø200 mm	
Engine	230V / 16A	BATTERY
Fuel tank capacity	Optional	Optional
Generator		
Battery pack		24V/200Ah/5h
Charger		24 V / 30 A
Double charger system		Optional
Elec. descent	Optional	Optional
Self-propulsion with hydraulic engagement of traction rollers	Standard	
Gradeability	14% / 8°	
Ground to tire clearance at max. set-up	Min. 250 mm (8.8% / 5.0°)	
Total weight	2450 kg	2550 kg
Ground pressure, outrigger pad	15.9 kg/cm ²	15.9 kg/cm ²
Ground pressure with 0.4 x 0.4 m spreader plate	0.9 kg/cm ²	0.9 kg/cm ²
Max. force, outrigger	13.5 kN	13.5 kN
Hydraulic stabilizers	Standard	
Controls	Proportional	
Flush basket mount	Standard	
Elec. power outlet in basket	Standard	
Tool trays in basket	Standard	



03.22 Subject to change without notice. Data, dimensions and features are indicative and not binding