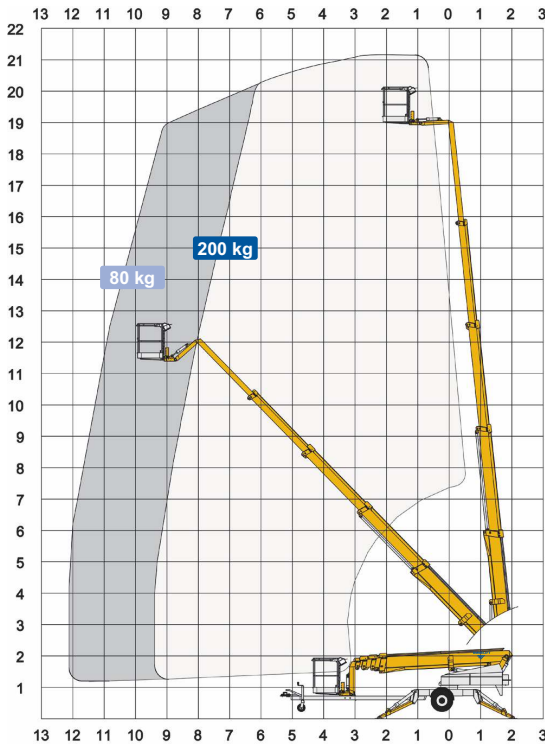


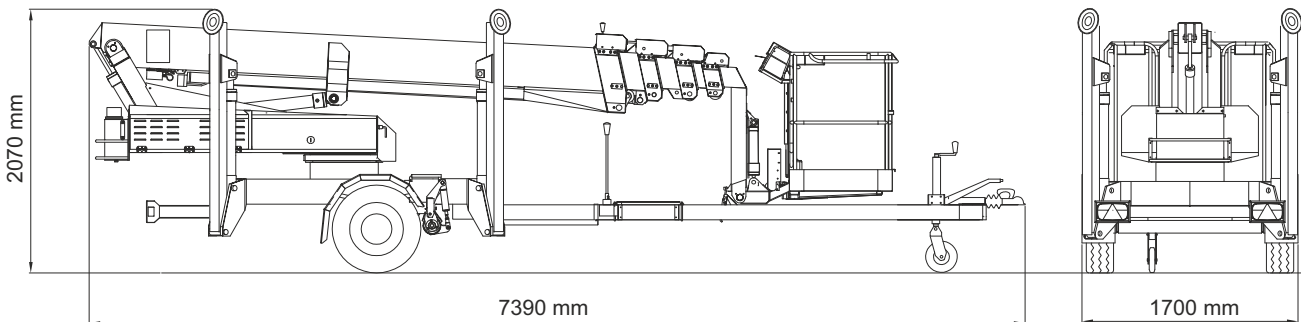
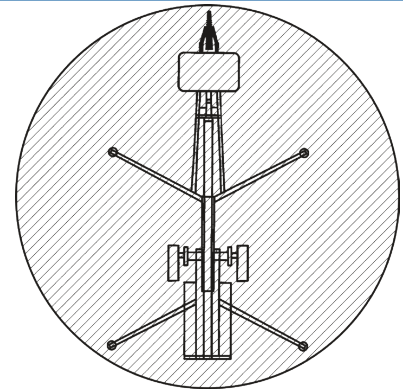
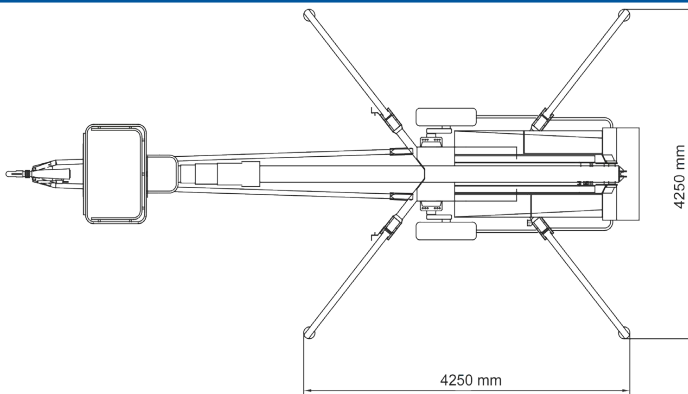
**OMME**  
**2100 E**

**TELESCOPIC SPIDER LIFT-TRAILER MOUNTED**



**OMME****2100 E****TELESCOPIC SPIDER LIFT-TRAILER MOUNTED**

Technical Data:	2100 E	2100 EB	2100 EBD
Max. working height		21.2 m	
Max. platform height		19.2 m	
Max. outreach		12.2 m	
Up and over clearance		-	
Angle boom length (boom + basket)		2.0 m	
Jib length (jib + basket)		-	
Vertical jib rotation		-	
Turret rotation		± 355°	
Basket rotation		± 41°	
Max. basket load		200 kg	
Basket size		1.25 x 0.8 x 1.1 m	
Stabilizer pad size		ø200 mm	
	<b>230V / 16A</b>	<b>BATTERY</b>	<b>HYBRID</b>
Engine	Optional	Optional	14kW/18.8hp
Fuel tank capacity			16 l
Generator			24 V / 22 A
Battery pack		24V/200Ah/5h	
Charger		24 V / 30 A	24 V / 30 A
Double charger system		Optional	Optional
Elec. descent	Optional	Optional	Optional
Self-propulsion with hydraulic engagement of traction rollers		Standard	
Gradeability		14% / 8°	
Ground to tire clearance at max. set-up		Min. 150 mm (5.2% / 3.0°)	
Engine only version available			
Total weight	2380 kg	2500 kg	2825 kg
Ground pressure, outrigger pad	16.0 kg/cm <sup>2</sup>	16.0 kg/cm <sup>2</sup>	16.0 kg/cm <sup>2</sup>
Ground pressure with 0.4 x 0.4 m spreader plate	0.9 kg/cm <sup>2</sup>	0.9 kg/cm <sup>2</sup>	0.9 kg/cm <sup>2</sup>
Max. force, outrigger	13.6 kN	13.6 kN	13.6 kN
Hydraulic stabilizers	Standard		
Controls	Proportional		
Flush basket mount	Standard		
Elec. power outlet in basket	Standard		
Tool trays in basket	Standard		



03.22 Subject to change without notice. Data, dimensions and features are indicative and not binding

**mtandt**  
S I N C E 1 9 7 4

Chennai | Bengaluru | Mumbai | Ahmedabad | Hyderabad | Delhi | Kolkata | Sri Lanka | Qatar

equipment@mtandt.com | 9090 1010 65 | www.mtandt.com