

OMME
2500 E

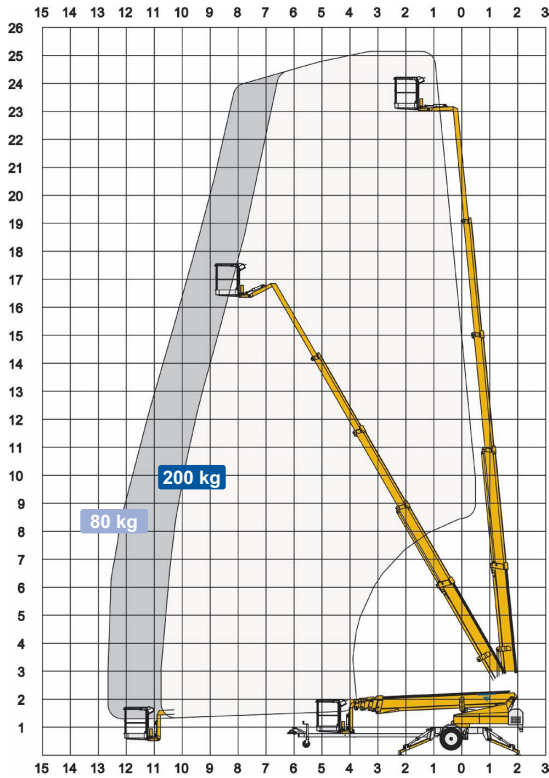
TELESCOPIC SPIDER LIFT-TRAILER MOUNTED



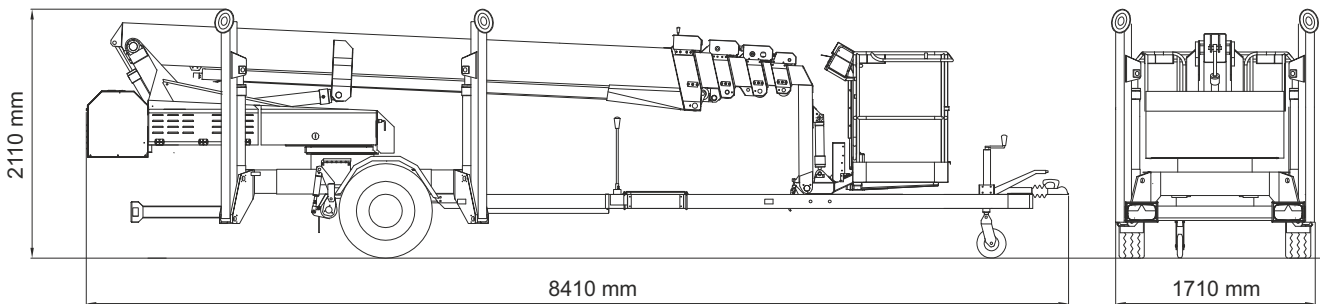
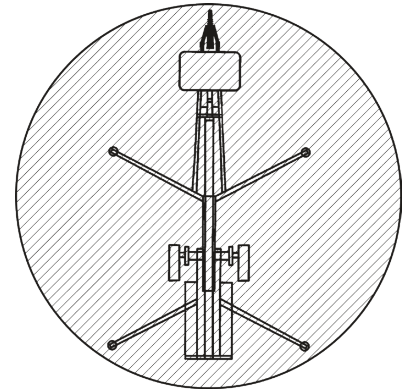
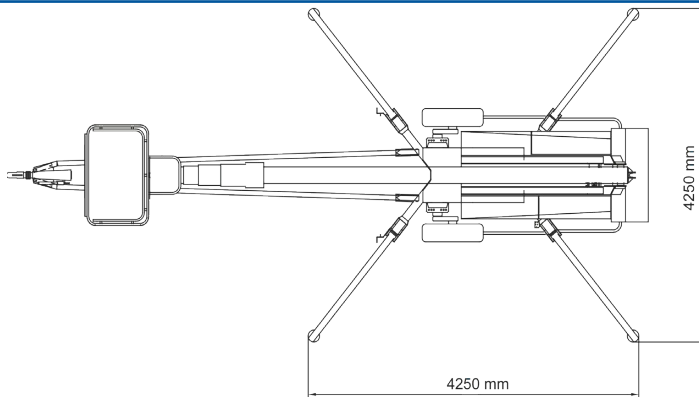
OMME

2500 E

TELESCOPIC SPIDER LIFT-TRAILER MOUNTED



Technical Data:	2500 E	2500 EB	2500 EBD
Max. working height		25.1 m	
Max. platform height		23.1 m	
Max. outreach		12.6 m	
Up and over clearance		-	
Angle boom length (boom + basket)		2.0 m	
Jib length (jib + basket)		-	
Vertical jib rotation		-	
Turret rotation		± 355°	
Basket rotation		± 41°	
Max. basket load		200 kg	
Basket size		1.25 x 0.8 x 1.1 m	
Stabilizer pad size		ø200 mm	
	230V / 16A	BATTERY	HYBRID
Engine	Optional	Optional	14kW/18.8hp
Fuel tank capacity			16 l
Generator			24 V / 22 A
Battery pack		24V/200Ah/5h	
Charger		24 V / 30 A	24 V / 30 A
Double charger system		Optional	Optional
Elec. descent	Optional	Optional	Optional
Self-propulsion with hydraulic engagement of traction rollers		Standard	
Gradeability		14% / 8°	
Ground to tire clearance at max. set-up		Min. 170 mm (5.9% / 3.4°)	
Engine only version available			
Total weight	3000 kg	3060 kg	3180 kg
Ground pressure, outrigger pad	20.0 kg/cm ²	20.0 kg/cm ²	20.0 kg/cm ²
Ground pressure with 0.4 x 0.4 m spreader plate	1.1 kg/cm ²	1.1 kg/cm ²	1.1 kg/cm ²
Max. force, outrigger	17.1 kN	17.1 kN	17.1 kN
Hydraulic stabilizers		Standard	
Controls		Proportional	
Flush basket mount		Standard	
Elec. power outlet in basket		Standard	
Tool trays in basket		Standard	



03.22 Subject to change without notice. Data, dimensions and features are indicative and not binding



Chennai | Bengaluru | Mumbai | Ahmedabad | Hyderabad | Delhi | Kolkata | Sri Lanka | Qatar

equipment@mtandt.com | 9090 1010 65 | www.mtandt.com