

OMME

MINI 12 EJ / MINI 12 EBJ

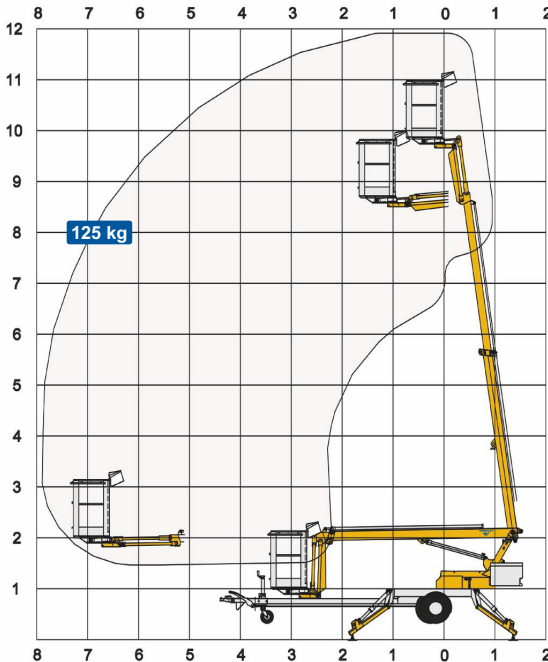
TELESCOPIC SPIDER LIFT-TRAILER MOUNTED



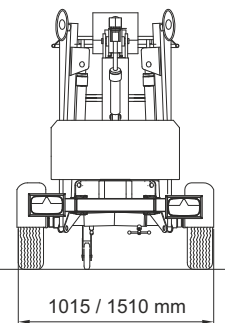
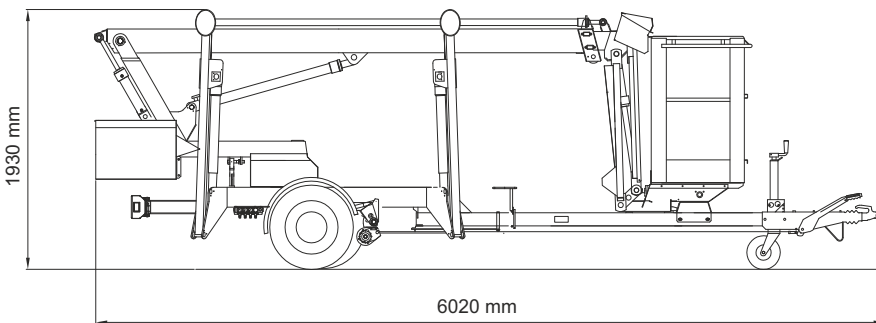
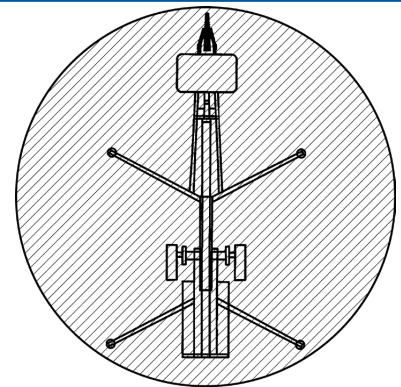
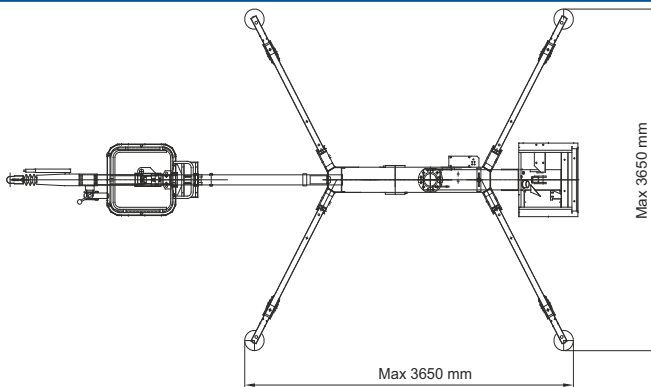
OMME

MINI 12 EJ / MINI 12 EBJ

TELESCOPIC SPIDER LIFT-TRAILER MOUNTED



Technical Data:	Mini 12 EJ	Mini 12 EBJ
Max. working height	11.9 m	
Max. platform height	9.9 m	
Max. outreach	7.6 m	
Up and over clearance	-	
Angle boom length (boom + basket)	-	
Jib length (jib + basket)	2.0 m	
Vertical jib rotation	90°	
Turret rotation	± 355°	
Basket rotation	-	
Max. basket load	125 kg	
Basket size	0.85 x 0.7 x 1.1 m	
Stabilizer pad size	ø200 mm	
Engine	230V / 10A	BATTERY
Fuel tank capacity		
Generator		
Battery pack	24V/120Ah/5h	
Charger	24 V / 15 A	
Double charger system	Optional	
Elec. descent	Optional	Optional
Self-propulsion with hydraulic engagement of traction rollers **	Optional	
Gradeability	14% / 8° **	
Ground to tire clearance at max. set-up	Min. 340 mm (15.2% / 8.7°)	
Total weight	1260 kg	1260 kg
Ground pressure, outrigger pad	9.5 kg/cm ²	9.5 kg/cm ²
Ground pressure with 0.4 x 0.4 m spreader plate	0.5 kg/cm ²	0.5 kg/cm ²
Max. force, outrigger	8.1 kN	8.1 kN
Hydraulic stabilizers	Standard	
Controls	2-step	
Flush basket mount	Standard	
Elec. power outlet in basket	Standard	
Tool tray in basket	Standard	



03.22 Subject to change without notice. Data, dimensions and features are indicative and not binding