

SNORKEL

S2255RT/S2755RT

NARROW ROUGH TERRAIN SCISSOR LIFT



- Narrow compact diesel rough terrain scissor lifts
- Excellent rough terrain performance
- Easy to operate
- Roll-out deck extension for extra reach
- Ideal for outdoor work in confined spaces

SNORKEL

S2255RT/S2755RT

NARROW ROUGH TERRAIN SCISSOR LIFT



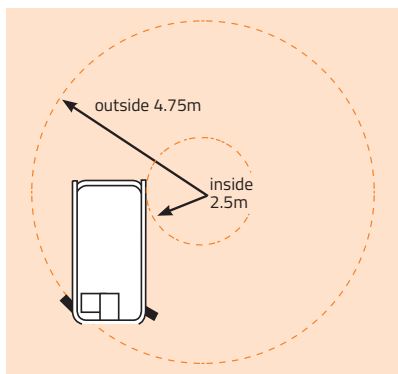
DIMENSIONS	S2255RT	S2755RT
Max. working height	8.5m	10.1m
Max. platform height (A)	6.5m	8.1m
Platform size (stowed)	1.4m x 2.73m	1.4m x 2.73m
Platform size (extended)	1.4m x 3.93m	1.4m x 3.93m
Extension deck length	1.2m	1.2m
Overall width (B)	1.45m	1.45m
Overall length (C)	3.3m	3.3m
Stowed height (D)	2.35m	2.5m
Min. height (guardrails folded)	2.0m	2.13m
Ground clearance	260mm	260mm

PERFORMANCE	S2255RT	S2755RT
Platform capacity (SWL)	420kg	300kg
Max. drive height	6.2m	7.8m
Max. wind speed	12.5m/s	12.5m/s
Max. drive speed (stowed)	5.2km/h	5.2km/h
Max. drive speed (elevated)	0.66km/h	0.5km/h
Raise/lower time	26/30 sec	26/30 sec
Gradeability	35%	35%
Max. outrigger levelling, front to rear	6°	6°
Max. outrigger levelling, side to side	10°	10°
Inside turning radius	2.5m	2.5m
Outside turning radius	4.75m	4.75m
Exit/entry angle	20°	20°
Tyres	0.58m x 0.22m - 12 non-marking	
Controls	proportional joystick	
Drive system	4 wheel drive	

POWER	S2255RT	S2755RT
Power source	Kubota diesel engine	

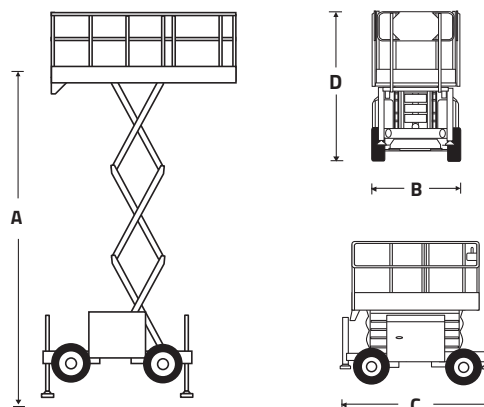
WEIGHT	S2255RT	S2755RT
Weight	2,410kg	2,750kg

TURNING RADIUS



CE Specification
© Snorkel 2020

Specifications subject to change without notice. Photos and diagrams in this brochure are for promotional purposes only. Refer to appropriate Snorkel operators manual for detailed instructions on the proper use and maintenance.



STANDARD FEATURES

- 4 wheel drive
- 4 hydraulic outriggers with automatic levelling
- Roll-out deck extension
- Proportional controls
- Non-marking tyres
- Power line to platform
- Drive motion alarm
- Descent alarm
- Manual lowering valve
- Flashing amber light
- Dual lanyard attachment points
- Articulating axle
- Hour meter
- 2 year parts & labour, 5 year structural warranty
- CE approved

OPTIONS

- Special paint colours
- Nylon spreader pads (set of 4)
- Environmental hydraulic oil



Delivering Safety & Productivity

Chennai | Bengaluru | Mumbai | Ahmedabad | Delhi | Kolkata | Sri Lanka | Qatar

equipment@mtandt.com | 90901 01065 | www.mtandt.com