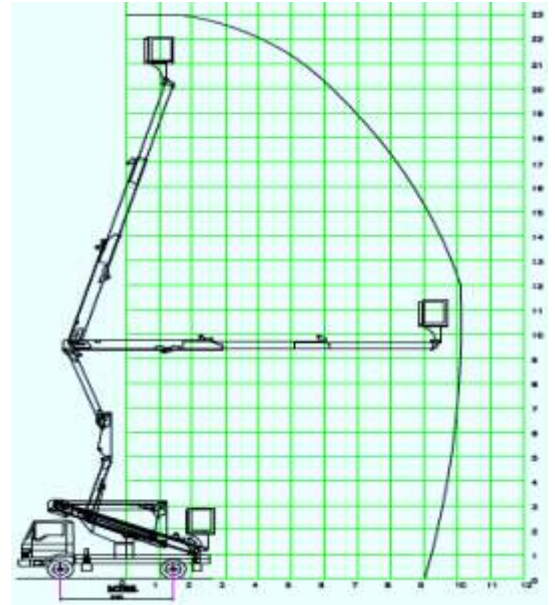


m lift
BY MTANDT



TRUCK MOUNTED BOOM LIFT

ARTICULATED TYPE



TECHNICAL SPECIFICATION

FOR HYDRAULIC ACCESS PLATFORM

MODEL	MLIFT 18TM	MLIFT 23TM	MLIFT 30TM
Recommended Truck & Wheel Base	6 to 8 Ton GVW, 3.8m	6 to 8 Ton GVW, 3.8m	12 Ton GVW, 4.8m

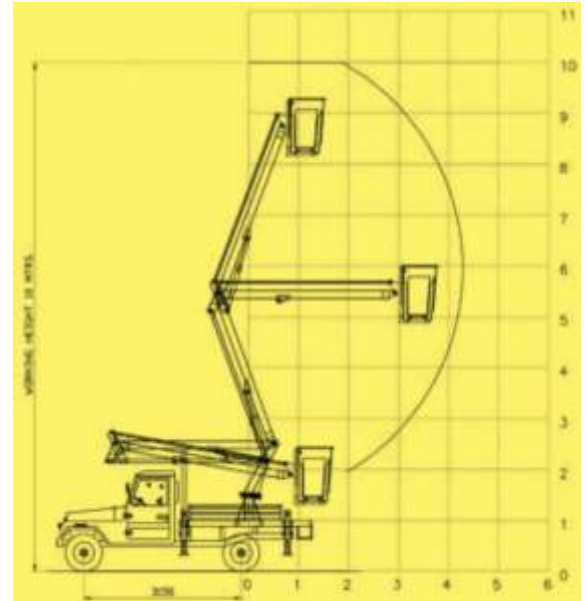
PERFORMANCE

Max. working height from ground	18m	23m	29m
Min. platform height from ground	16m	21m	27m
Outreach	7.3m	10m	15m
Slewing range	360°		
Safe working load	200kgs. to 230kgs		
Cage size	1000 x 1060 x 770mm		
Emergency pump	Emergency hand pump is provided to enable stopping of the equipment in case of pump/engine failure		



MXA 1100

ARTICULATED BOOM LIFT X-TYPE

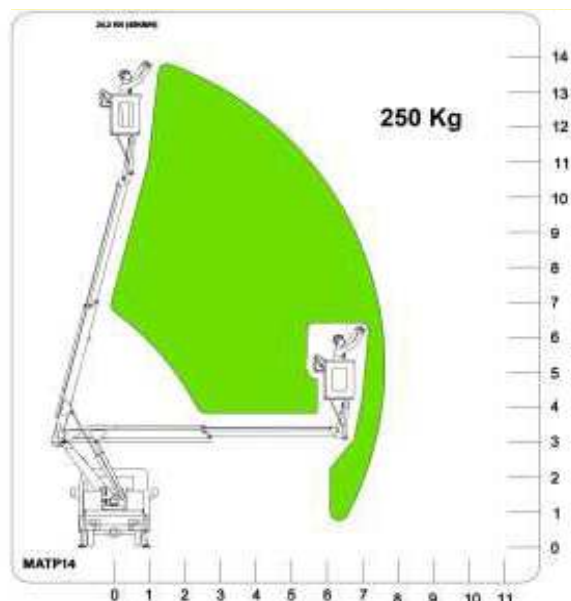


TECHNICAL SPECIFICATION

Vehicle	TATA-Intra V30 fitted with PTO	Leveling	Mechanical parallel linkage type cage leveling
Performance	Articulated type X design, Working height-11m, Cage floor height-9m approx, Outreach-3.3m approx, Slewing range-360° continuous, Safe load-200kg	Operator's Cage	850x900x700mm approx, FRP cage, Insulation-2 kv min, Non slip flooring, drain hole at boom, Tool box inside the cage
Structure	Articulated X type, Boom material High tensile steel min Yst 700n/mm ² , self lubricating pivot points, Plasma/laser cut profile brackets, Side boom type design. Operator can operate any boom at any boom angle, without interfering. Hence no boom sequence required, Direct entry into basket from deck.	Cage Controls	Electric control panel at cage
Stabilizers	A type hydraulic operated	Emergency Pump	Emergency hand pump is provided to enable stopping of the equipment in case of pump/engine failure.

MTP SERIES

16M TELESCOPIC PLATFORM



GENERAL SPECIFICATIONS	OPTIONS
<ul style="list-style-type: none"> • Lightning device at basket • Locking system at outriggers • Automatic basket leveling • Hand pump for emergencies • Emergency stop button at control boxes • Interlock system 	<ul style="list-style-type: none"> • 220/380V plug at basket • Safety system which allows booms control • 90° left-right basket rotation • Audio warning system

TECHNICAL SPECIFICATIONS

Model No:	MTP 16
Working Height	16m
Platform Height	14m
Outreach	10m
Basket Capacity	250kg
Outriggers	Type H
Tower Rotation	360° (±1800)

MTANDT PRESENCE



Location markers for

📍 Our Presence

📍 Our Customers

📍 Our Partners

YARDS IN INDIA

Delhi | Ahmedabad | Bangalore | Chennai



MTANDT GROUP

Corporate Office: 17/8, West Madha Church Road, Royapuram, Chennai - 600 013, TN.

✉ marketing@mtandt.com 📞 +91 9090 1010 65

🌐 www.mtandt.com

Specifications may vary. Subject to technical changes, errors, and translation mistakes.
 Accessories shown in the photographs may not be the part of standard products.
 Images used are for illustration purposes only and all rights are reserved with the respective owners.
 Copyright 2022 Mtandt Group. All rights reserved.

Follow Mtandt Group



Scan for Website

